



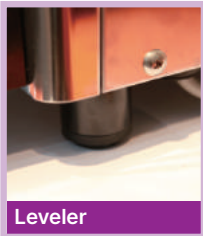
Smoothie & Slush Machines

- 7.5Liter – 1 Tank
- 12Liter – 1 Tank
- 12Liter – 2 Tanks
- 12Liter – 3 Tanks



SLUSH MACHINE -7.5 LITER CAPACITY

- Perfect performance in tropical zone.
- Fastest Freezing ability.
- Unbreakable & non-poisonous P.C 7.5liter(1.98gallon) capacity bowl.
- TC & Torque control system.

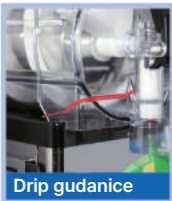


SSM-52

- Tank capacity : 7.5Liter(1.98gallon) X 2
- Weight : 38Kg (83.8 lbs)

SLUSH MACHINE -12 LITER CAPACITY

- Unbreakable & non-poisonous P.C 12liter(3.17gallon) capacity bowl.
(Maximum mix capacity is 9liter.)
- Stainless steel body and case for long life.
- Durable metal geared motor for long life and reliability.
- TC & Torque control system.



SSM-180

- Tank capacity : 12Liter(3.17gallon) X 1
- Weight : 30Kg (66.2 lbs)



SSM-280

- Tank capacity : 12Liter(3.17gallon) X 2
- Weight : 52Kg (114.7 lbs)



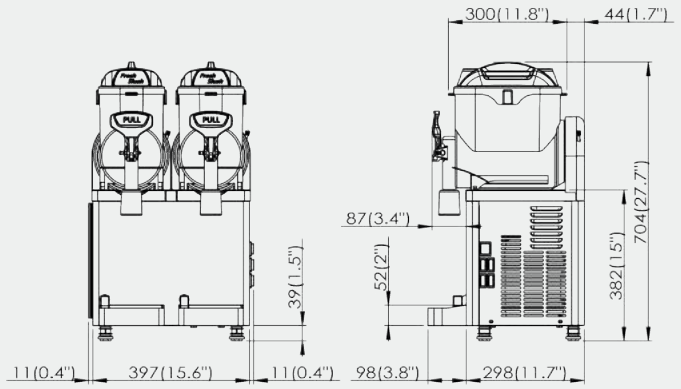
SSM-420

- Tank capacity : 12Liter(3.17gallon) X 3
- Weight : 80Kg (176.4 lbs)



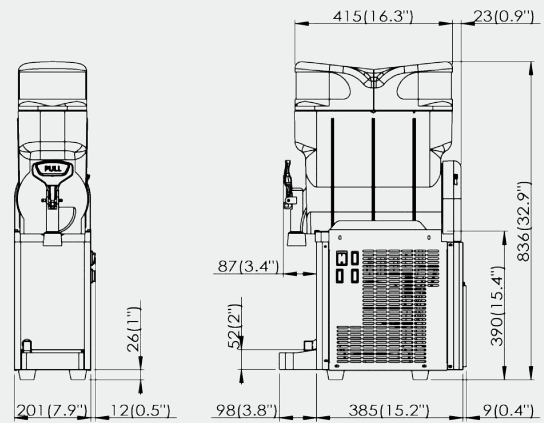
SSM-52

| | |
|------------------------|--|
| Dimensions (W x D x H) | 419x396x704(mm) 16.5x15.6x27.7(inch) |
| Weight | 38Kg (83.8lbs) |
| Legs | Adjustable leveler |
| Power consumption | 500W |
| Gear Motor | 67x2EA |
| Compressor | 0.5HP |
| Voltage Rating | 115V/60Hz, 208~230V/60Hz, 220~240V/50Hz |



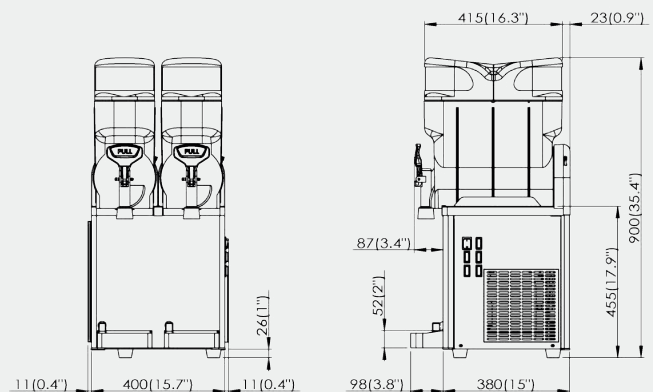
SSM-180

| | |
|------------------------|--|
| Dimensions (W x D x H) | 213x492x836(mm) 8.4x19.4x32.9(inch) |
| Weight | 30Kg (66.2lbs) |
| Legs | Rubber Packing |
| Power consumption | 320W |
| Gear Motor | 67Wx1EA |
| Compressor | 0.35HP |
| Voltage Rating | 115V/60Hz, 208~230V/60Hz, 220~240V/50Hz |



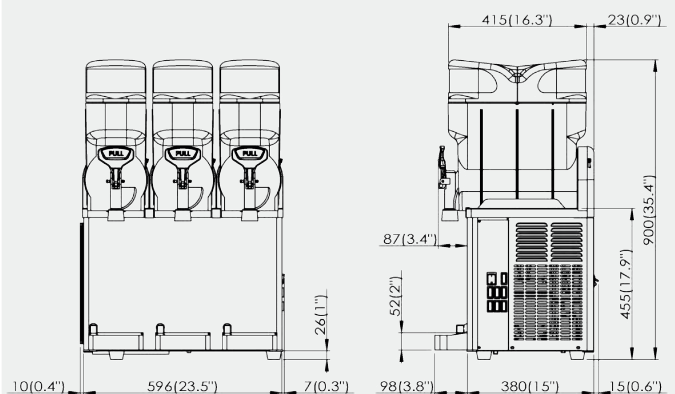
SSM-280

| | |
|------------------------|--|
| Dimensions (W x D x H) | 422x478x900(mm) 16.6x18.8x35.4(inch) |
| Weight | 52kg (114.7lbs) |
| Legs | Rubber Packing |
| Power consumption | 1,020W |
| Gear Motor | 67Wx2EA |
| Compressor | 0.85HP |
| Voltage Rating | 115V/60Hz, 208~230V/60Hz, 220~240V/50Hz |



SSM-420

| | |
|------------------------|--|
| Dimensions (W x D x H) | 613x493x900(mm) 24.2x19.4x35.4(inch) |
| Weight | 80kg (174.6lbs) |
| Legs | Rubber Packing |
| Power consumption | 1,350W |
| Gear Motor | 67Wx3EA |
| Compressor | 0.85HP(50Hz spec), 1.30HP(60Hz spec) |
| Voltage Rating | 115V/60Hz, 208~230V/60Hz, 220~240V/50Hz |





ICETRO.COM

Pride of No.1 brand in Korea

Re-born as a brand of Middleby from 2022
We are committed to providing first-class equipment and excellent customer service.

The ICETRO brand stands for the best quality and the best value-it is our platform and we will strive to continue upward in making it a true brand name around the world.

“The best value of soft serve ice cream machine, slush machine and ice maker ”



SIMPLICITY



RELIABILITY



PERFORMANCE



SINCE 1981 - ARTISAN SPIRIT
Ice Cube Machine
Ice Cream Machine
Slush Machine

54-7 Road, Gumdan-Ro, Seo-ku, Incheon, Korea
TEL : +82-32-814-2160 FAX : +82-32-814-1798
Website : www.icetro.com
E-mail : sales@icetro.com

Distributed by :

