

MULTI-BURNER INDUCTION HOB LINE



HEAVY-DUTY INDUCTION HOB

Several large or small pans place on one surface at the same time. High-efficiency, heavy-duty, commercial countertop induction hobs are designed for use in commercial kitchens. There are knob and button options. Cooking zones fitted with round coils mean one thing: one pan is used for each hotplate. They are available as single, dual, four, or six burners, even three or five or nine burners, as required. You can also have the choice of round glass or square glass. Thanks to power levels control and high power density coil, they provide sensitive low-end cooking control for sauces, milk and chocolates and keep holding at 80 °C, as well as fast cooking for the different dishes. The ceramic top is easily cleaned with a mild cleaner.

MULTI-BURNER INDUCTION HOB LINE



4 Burner Induction Hobs

MODELS

LT-TBZ300IV-B135
LT-TBZ300IV-B135

SAFETY FEATURES

- Over-heat protection
- High voltage protection
- Low voltage protection
- Small-article detection
- Pan auto-detection function
- Empty-pan shut-off

APPLICATION

Cafes bar, bakery, food truck, traveling food stalls and fast food restaurant.

FEATURES

- Four burners design with separate cooking zones
- Shell completely made from 304 stainless steel
- Heating zones made from 6mm strong ceramic top
- Diameter 210mm coil (intended for more than 230mm induction-ready pots)
- 1 power level intermittent heating for holding applications
- Dual commercial, high-flow fans for extra durability
- Adjustable legs for levelling
- Rubber feet to prevent slipping
- Infineon IGBT Engine
- Firewall control protection
- 95% energy efficiency
- CE approved
- One year parts warranty

DIGITAL CONTROL MODELS

- Multi-sensor solid-state controls with digital display
- Output power control for each burner from 700w (1000w) to 3500w (5000w)
- Push button controls for easy cleaning
- 1 to 180 minutes timer

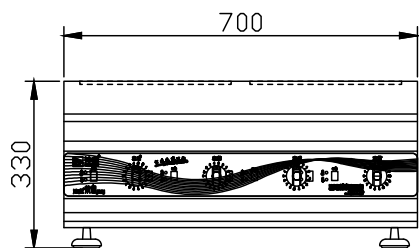
MANUAL CONTROL MODELS

- Knob power control, from 0 level to 8 level

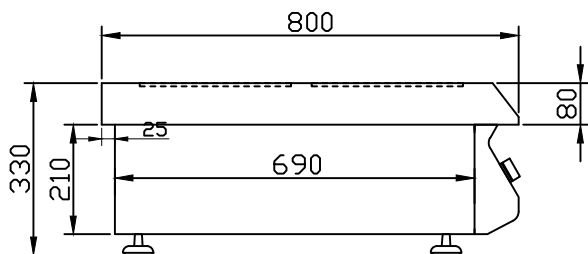
MULTI-BURNER INDUCTION HOB LINE

Model Item	Width	Depth	Height	Glass Size	Heating Area
LT-TBZ300IV-B135	700	800	330	Φ300	Φ210
Electrical Connection: 3.5KW*4/340V-460V/50Hz/3 Phase (Voltage input: 380V, Single PCB inside Voltage: 220V)					
LT-TBZ300IV-B105	700	800	330	Φ300	Φ210
Electrical Connection: 5KW*4/340V-460V/50Hz/3 Phase (Voltage input: 380V, Single PCB inside Voltage: 220V)					

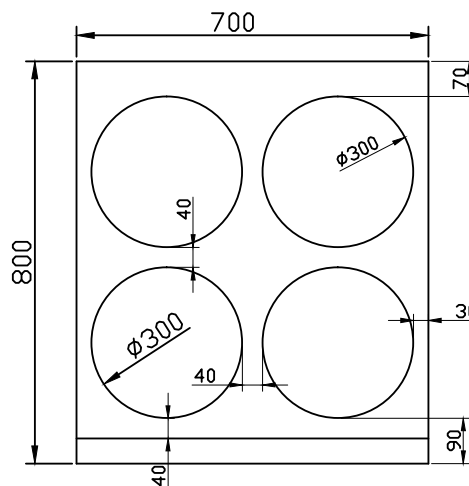
Model Item	Power/Burner	Corresponding power							
		1 Level	2 Level	3 Level	4 Level	5 Level	6 Level	7 Level	8 Level
LT-TBZ300IV-B135	3500W	700W	1300W	1600W	1900W	2400W	2700W	3000W	3500W
LT-TBZ300IV-B105	5000W	800W	1500W	2000W	2600W	3100W	3700W	4200W	5000W



Front View



Side View



Top View

MULTI-BURNER INDUCTION HOB LINE



6 Burner Induction Hobs

MODELS

LT-TBZ300VI-B135
LT-TBZ300VI-B135

SAFETY FEATURES

- Over-heat protection
- High voltage protection
- Low voltage protection
- Small-article detection
- Pan auto-detection function
- Empty-pan shut-off

APPLICATION

Cafes bar, bakery, food truck, traveling food stalls and fast food restaurant.

FEATURES

- Six burners design with separate cooking zones
- Shell completely made from 304 stainless steel
- Heating zones made from 6mm strong ceramic top
- Diameter 210mm coil (intended for more than 230mm induction-ready pots)
- 1 power level intermittent heating for holding applications
- Dual commercial, high-flow fans for extra durability
- Adjustable legs for levelling
- Rubber feet to prevent slipping
- Infineon IGBT Engine
- Firewall control protection
- 95% energy efficiency
- CE approved
- One year parts warranty

DIGITAL CONTROL MODELS

- Multi-sensor solid-state controls with digital display
- Output power control for each burner from 700w (1000w) to 3500w (5000w)
- Push button controls for easy cleaning
- 1 to 180 minutes timer

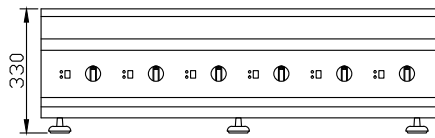
MANUAL CONTROL MODELS

- Knob power control, from 0 level to 8 level

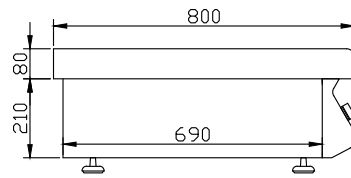
MULTI-BURNER INDUCTION HOB LINE

Model Item	Width	Depth	Height	Glass Size	Heating Area
LT-TBZ300VI-B135	1050	800	330	Φ300	Φ210
Electrical Connection: 3.5KW*6/340V-460V/50Hz/3 Phase (Voltage input: 380V, Single PCB inside Voltage: 220V)					
LT-TBZ300VI-B105	1050	800	330	Φ300	Φ210
Electrical Connection: 5KW*6/340V-460V/50Hz/3 Phase (Voltage input: 380V, Single PCB inside Voltage: 220V)					

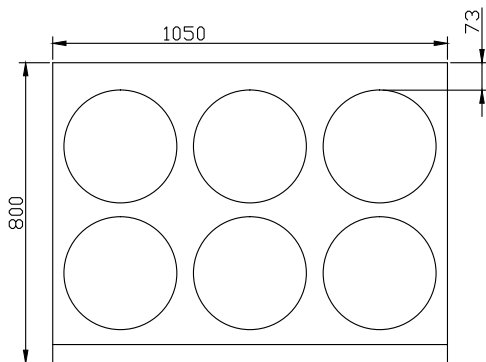
Model Item	Power/Burner	Corresponding power							
		1 Level	2 Level	3 Level	4 Level	5 Level	6 Level	7 Level	8 Level
LT-TBZ300VI-B135	3500W	700W	1300W	1600W	1900W	2400W	2700W	3000W	3500W
LT-TBZ300VI-B105	5000W	800W	1500W	2000W	2600W	3100W	3700W	4200W	5000W



Front View



Side View



Top View