



T&G™ 2 BLENDING STATION®

Powerful, Noise-Reduced Blending

The T&G 2 offers reduced sound and blending time. It quickly and easily creates smoothies, frappés, ice cream drinks and frozen cocktails.

Smart Product Design

- ≈2 peak output HP motor and sound-reducing cover for superior performance in coffee, smoothie, and ice cream shops
- 34 optimized programs engineered to provide consistent results quickly and easily
- Advance® container creates faster, smoother pouring and has a longer blade life resulting in time and cost savings along with improved customer experience



Creamy, blended coffee drinks

Product Specifications

T&G™ 2 Blending Station®

On-Counter: Item No. 42009 / In-Counter: Item No. 44004

Motor: ≈2 peak output horsepower motor

Electrical: 220 - 240 V, 50/60 Hz, 1075 - 1200 W

Pack: Includes T&G 2 with 0,9 L high-impact, clear/stackable Advance® container, complete with Advance blade assembly and lid, and removable compact cover.*

Net Weight: 7,7 kg (8,6 kg with box)

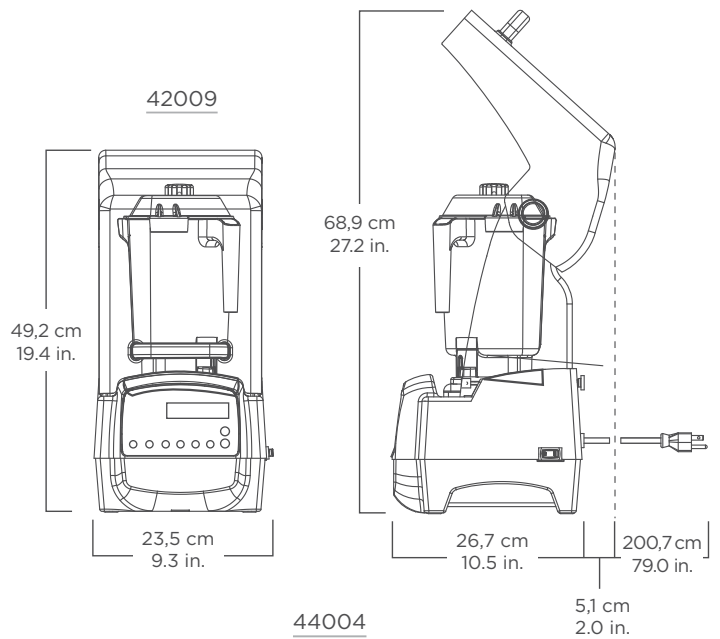
Dimensions:

On-Counter: 49,2 x 23,5 x 26,7 cm (H x W x D)
Height with lid open: 68,9 cm

In-Counter: 38,1 x 22,9 x 26,7 cm (H x W x D)
Height with lid open: 57,2 cm
Depth below counter: 14,4 cm

Warranty: Please contact your authorized Vitamix distributor for warranty information.

* Standard 2,0 L container cannot be used with the compact cover.



Also Available

T&G 2 Blending Station On-Counter with Advance Container

Item No. 34201: 120 V (EMC), 50/60 Hz, 11,5 A

Item No. 46002: 100 V, 50/60 Hz, 900 W

T&G 2 Blending Station In-Counter with Advance Container

Item No. 48001: 100 V, 50/60 Hz, 900 W

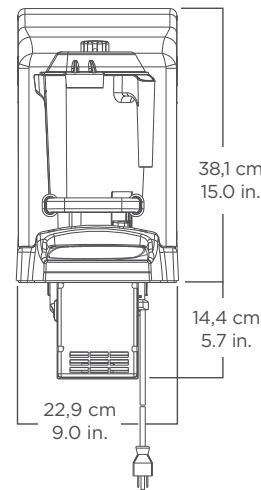
Additional containers, complete with blade assembly and lid.

Item No. 15981: Advance container 0,9 L

Item No. 15506: standard container 1,4 L

Item No. 15640: compact container 0,9 L

For more information, please contact an authorized Vitamix distributor, or Vitamix international customer service.



Where applicable:



Contact Information

U.S.A., Canada & Latin America:

Tel: 800.4DRINK4 or
440.235.0214

E-mail: foodservice@vitamix.com

www.vitamix.com/foodservice

Vita-Mix Corporation
8615 Usher Road
Cleveland, OH 44138-2103 U.S.A.

Outside of U.S.A., Canada &
Latin America:

Tel: +1.440.782.2450

E-mail: international@vitamix.com

For more information, contact your
local foodservice distributor.